

HOCHIKI ADDRESSABLE CALL POINT INSTALLATION INSTRUCTIONS

Products covered: HCP-E(SCI), HCP-EO(SCI), HCP-EM, HCP-E/Y(SCI), HCP-E(DPS)-SCI

IMPORTANT: These call points are suitable for use only with the particular class of system for which they are intended. These units are only compatible with the Enhanced Systems Protocol (ESP) and are for indoor use only. **Important Note – The use of lubricants, cleaning solvents or petroleum based products should be avoided.**

SETTING THE ESP LOOP ADDRESS

Ensure that each device has a unique address set before operation. Note the address can be set before or after connection to the loop but the loop **MUST NOT** be powered. The address is set by connecting a hand held programmer (TCH-B100) to the programming connector on the reverse of the call point (top left corner) using a PL-3 programming lead. Plug the square connector of the PL-3 on to the programming connector on the call point, note the connector is **NOT** polarised (see fig 4). Set the address in the usual way (see the TCH-B100 Instructions for further details). Once the address is stored remove the programming lead.

STATUS LED

The call point incorporates a bi-coloured LED; the LED will show amber when a short-circuit is present but will switch to red when the unit is operated.

POLLING MODE

The polling mode of the call point (whether the call point will flash intermittently when connected to the loop) is controlled via the connected control panel (check control panel compatibility). Note that factory default for all models is flashing mode.

MOUNTING / CONNECTION

Flush Mounting: All units will fit onto any standard UK single switch/socket box having 60mm horizontal fixing centres and a recommended minimum depth of 25mm.

Surface Mounting: Two styles of plastic back box are available for surface mounting, the SR for use with the HCP-E(SCI), HCP-EO(SCI), HCP-E/Y(SCI), HCP-EM and the SR-1T for use with the HCP-E(DPS)-SCI which features a cable screen terminal.

If the unit is to be surface mounted, fix the plastic back box to the fixing surface using the four screw holes provided (do not over tighten). A larger round hole is provided for loop cable entry. Before mounting the call point to the back box, use the test key to unlock the lower cover (see fig 1). Remove the lower cover by sliding downwards (see fig 2). Remove the non-frangible element to reveal the back box screw holes (see fig 3).

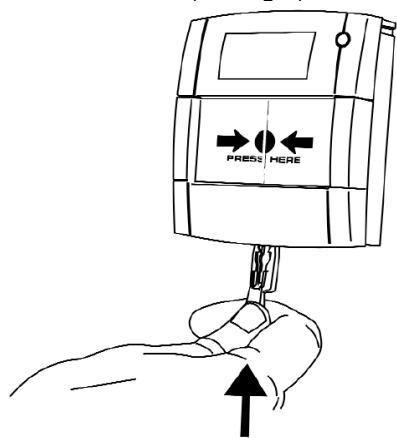


fig 1

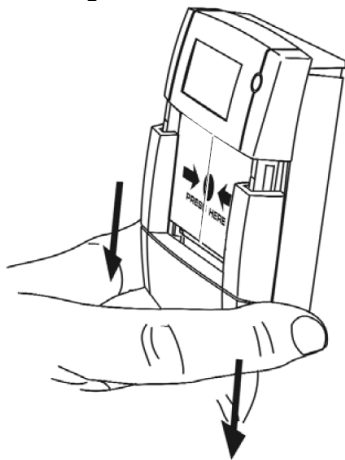


fig 2

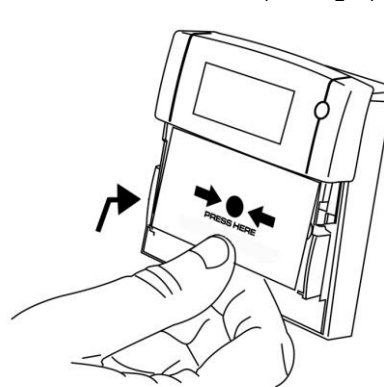


fig 3

For surface or flush mounting, wire the unit to the loop cables using the terminal blocks, note these blocks can be removed for easier connection (see fig 4). Wire the loop cables as per the wiring diagrams shown below (see figs 5 and 6). The loop connections must not be greater than 2.5mm² cable diameter for proper fixing to the terminal blocks. Once connected, fix the call point to the back box with the long black screws (supplied).

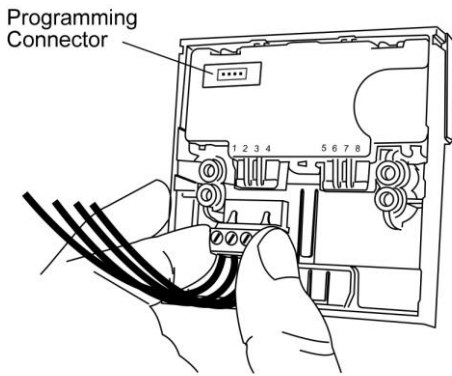


fig 4

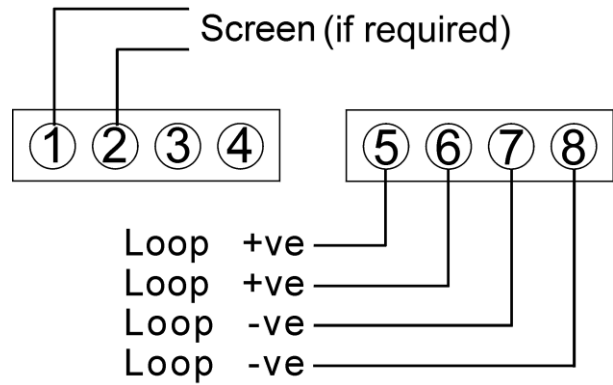


fig 5

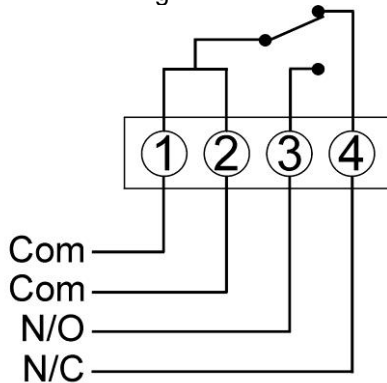


fig 6 – HCP-E(DPS)-SCI additional wiring

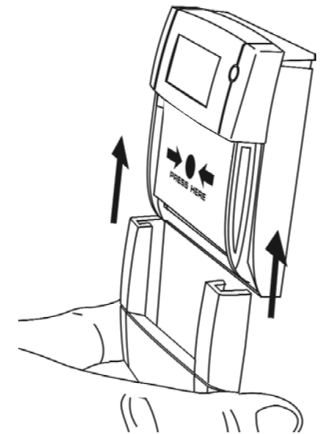


fig 7

Replace the non-frangible element (yellow strip to top). Place the cover over lower half of unit so that the tabs inside the cover line up with the grooves on the sides of the main unit (see fig 7). Then slide the cover up back into place until it clicks shut (see fig 8).

TESTING

To test the call point insert the supplied test key into the aperture at the bottom of the unit until the lower cover opens. The non-frangible element will drop, thus simulating operation of the call point (see fig 1). To reset the unit remove the key and slide the lower cover up (with the non-frangible element) back into place until it clicks shut (see fig 8).

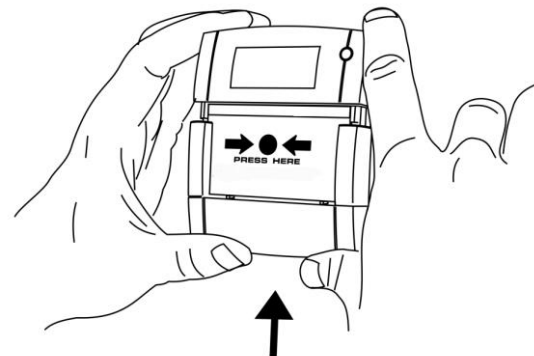


fig 8

RESETTING AFTER ACTIVATION

To reset the call point after it has been activated, insert the supplied test key into the aperture at the bottom of the unit until the lower cover opens, remove key. If a glass element has been used, remove cover, replace glass element and replace cover. Then slide the lower cover up (with the element) back into place until it clicks shut (see fig 8).

	HCP-E(DPS)-SCI	0832-CPR-F0694/14	14	EN54-11 Manual Call Points EN54-17:2005 Short Circuit Isolators
	HCP-E(SCI)	0832-CPD-1238	09	



Hochiki Europe (UK) Ltd
 Grosvenor Road, Gillingham Business Park,
 Gillingham, Kent, ME8 0SA,
 United Kingdom
 Telephone: +44(0)1634 260133
 Facsimile: +44(0)1634 260132
 Email: sales@hochikieurope.com
 Web: www.hochikieurope.com

Hochiki Europe (UK) Ltd. reserves the right to alter the specification of its products from time to time without notice. Although every effort has been made to ensure the accuracy of the information contained within this document it is not warranted or represented by Hochiki Europe (UK) Ltd. to be a complete and up-to-date description. Please check our web site for the latest version of this document.